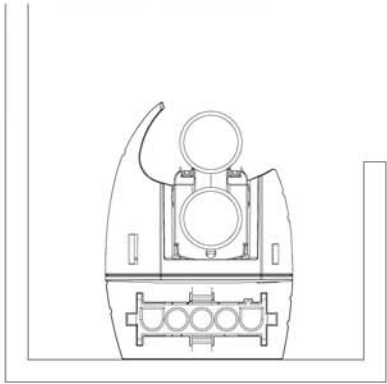


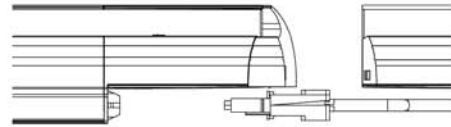
installation

instructions

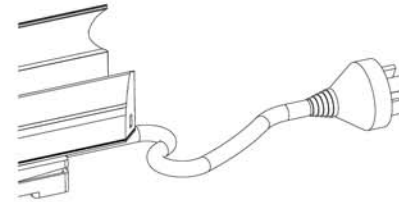
1. Module location



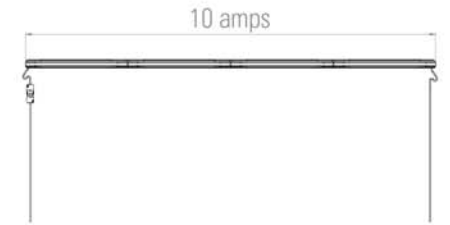
2. Power supply connection



Connecting modules utilising the 'plug & go' connection system and module joiner provided.

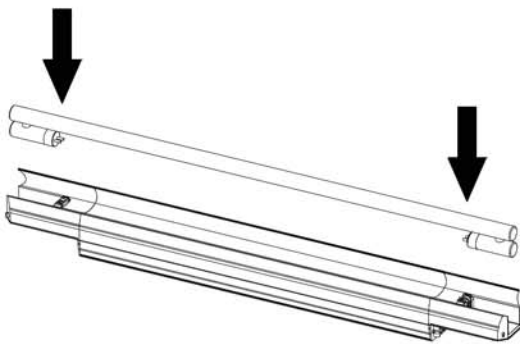


Plug first module of run length into power source.



Split circuits to be utilised on long runs. Maximum electrical load is not to exceed 10 amps per run length.

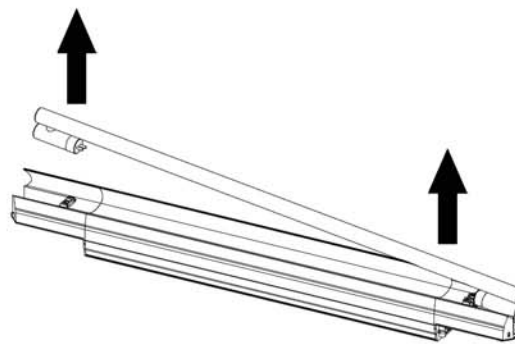
3. Lamp installation



Lamp fitment

1. Fit lamp into lampholder
2. Push down on both ends of lamp simultaneously until it clicks into the lampholder

4. Lamp removal



To remove the lamp, gently grip one end of the lamp while holding the fitting. Gently push the lamp up using your finger. Do the same at the other end of the fixture.